

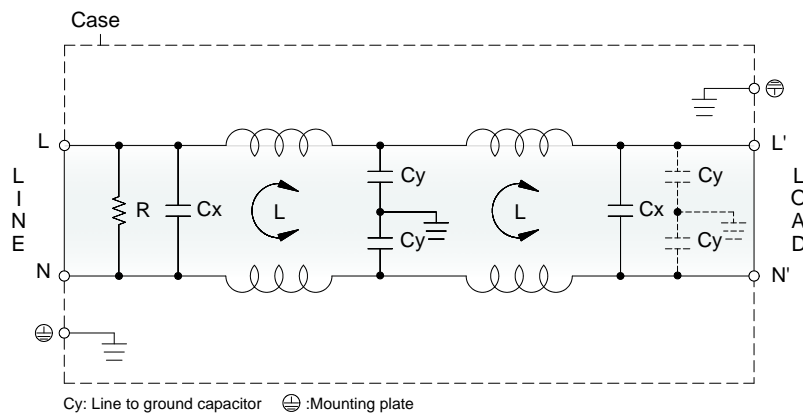
Features

- High attenuation of common-mode noise
- 2-stage filter
- Current rating 1A~30A
- Integrated nut is in hinged cover for reliable ring lug wiring
- Light weight plastic housing design

Marketing Applications

- Bioprocessing equipment
- Safety tester
- Assembly lines
- Data storage
- Packaging machine

Electrical Schematic



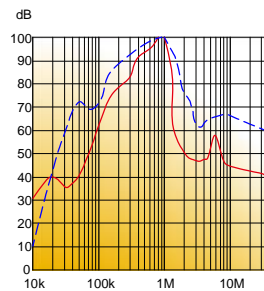
Special Features

- CNBH series: best frequency bands 10kHz~10MHz.

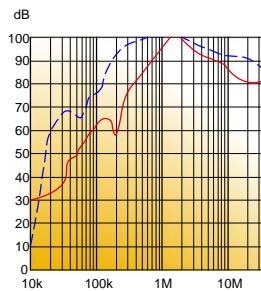
Filter Attenuation

Insertion loss (dB) in 50 ohm system CISPR 17 (for reference only)

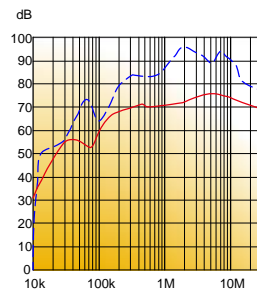
■ 1A~3A



■ 6A~10A



■ 15A~30A



Common mode / Asymmetric (L-G) ————
 Differential mode / Symmetric (L-L) - - - - -

Technical Data and Measuring Conditions

No.	CNBH series Filter PRJ No.	01CNBH432	03CNBH432	06CNBH432	10CNBH432	15CNBH432	20CNBH432	30CNBH432	
1	Rated voltage	AC 1∅ 250V / DC250V							
2	Rated current	1A	3A	6A	10A	15A	20A	30A	
3	Test voltage	2,500 VAC (Cutoff current: 20mA), 1 min. at room temperature and humidity							
4	Isolation resistance	500VDC 100MΩ min. at room temperature and humidity							
5	Leakage current	1mA @250VAC/60Hz (max.)							
6	Cy cap. value	0 ~ 4.3nF							
7	Voltage drop	1.0V max.							
8	Safety approval temp.	-25° ~ +100°							
9	Operating temperature	-40° ~ +100°							
10	Operating humidity	20 ~ 95%RH (Non condensing)							
11	Storage temp. / humidity	-40° ~ +100°; 20 ~ 95%RH (Non condensing)							
12	Vibration	10 ~ 55Hz, 19.6m/s ² (2G), 3 min. period, 1 hour each X,Y,Z axis							
13	Impact	196.1m/s ² (20G), 11ms, once along X,Y,Z axis							
14	Safety approvals	UL1283, CSA C22.2 No.8 (C-UL), VDE0565 Teil3-1, IEC/EN60939							

Mechanical Drawing (unit: mm)

● Chassis mounting

