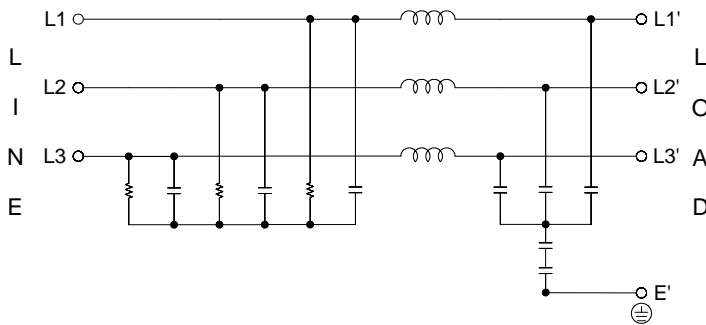


Technical data and measuring conditions

- Rated current: 7~30A@50°C
- Max. continuous operating voltage: 3x600 / 347VAC
- Operating frequency: dc to 60Hz
- Operating temp.: -25°~ + 100° (25/100/21)
- Hi-pot. test voltage (for 2 sec.):
P to E: 2000 VAC
P to P: 2250 VDC
- Protection category: IP00
- Flammability corresponding to: UL 94V-2 or better
- MTBF@50°C/400V(Mill-HB-217F): >200,000 hours
- Design corresponding to: UL1283, UL60939, CSA 22.2 No.8-13, IEC/EN60939
- Overload capability: 4 x rated current at switch on; 1.5 x rated current for 1 min., once per hour



Electrical schematic



Marketing applications

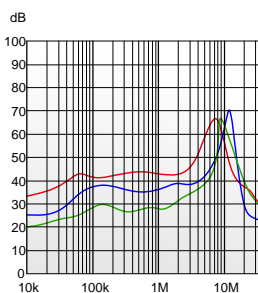
- Electric motor driven systems
- Frequency inverters
- Power management system
- Servo motor
- High power office equipment

Features

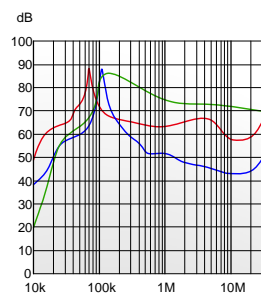
- Provide excellent attenuation of common-mode noise
- Current rating 7~30A
- Leakage current values 2.5mA~5mA (Max.)
- Light weight plastic housing design
- Integrated nut is in hinged cover for quick, reliable ring lug wiring
- Single stage circuit is ideal for general applications

Filter attenuation Insertion loss (dB) in 50Ω system CISPR 17

Common mode / Asymmetrical (P-E)



Differential mode / Symmetrical (P-P)



- 10A ————
- 20A ————
- 30A ————

Filter selection table

No.	CTAC series Filter PRJ No.	07CTAC	08CTAC	10CTAC	16CTAC	20CTAC	25CTAC	30CTAC	
	CTAH series Filter PRJ No.	07CTAH	08CTAH	10CTAH	16CTAH	20CTAH	25CTAH	30CTAH	
1	Rated voltage	AC Three phase 500V, 50/60Hz							
2	Rated current	7A	8A	10A	16A	20A	25A	30A	
3	Test voltage (Terminal-mounting plate)	2,000 VAC (Cutoff current: 100mA), 1 min. at room temperature and humidity							
4	Isolation resistance (Terminal-mounting plate)	500VDC 100MΩ min. at room temperature and humidity							
5	Leakage current	5mA @500V / 60Hz (max.)							
6	Cy cap. value ●	68nF							
7	Voltage drop	1.5V max.				1.0V max.			
8	Best frequency bands	CTAC series: 150kHz ~ 1MHz; CTAH series: 10kHz ~ 1MHz							
9	Safety approval temp.	-25° ~ +100°							
10	Operating temperature	-40° ~ +100°							
11	Operating humidity	20 ~ 95%RH (Non condensing)							
12	Storage temp./ humidity	-40° ~ +100°; 20 ~ 95%RH (Non condensing)							
13	Vibration	10 ~ 55Hz, 19.6m/s ² (2G), 3 min. period, 1 hour each X,Y,Z axis							
14	Impact	196.1m/s ² (20G), 11ms, once along X,Y,Z axis							
15	Safety approvals	UL1283, CSA C22.2 No.8 (C-UL), VDE0565 Teil3-1, IEC/EN60939							

● call for alternatives.

Mechanical drawing

■ Chassis mounting

