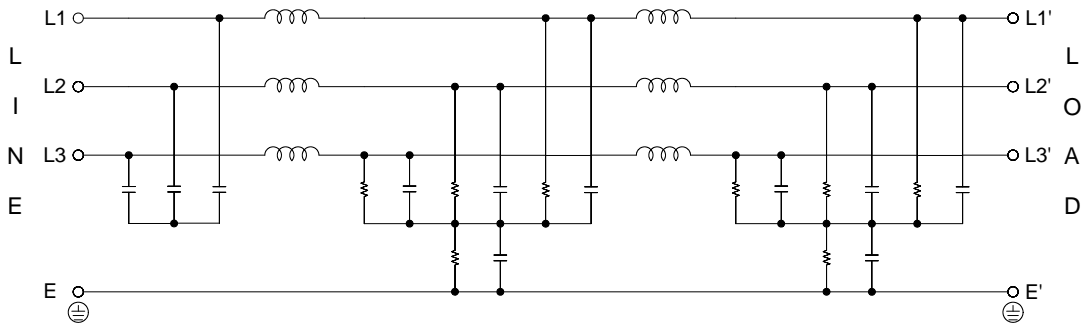


Technical data and measuring conditions

- Rated current: 7~250A@50°C
- Max. continuous operating voltage: 3x600 / 347VAC
- Operating frequency: dc to 60Hz
- Operating temp. : -25°~ + 100° (25/100/21)
- Hi-pot. test voltage (for 2 sec.):
P to E: 3000 VDC
P to P: 2100 VDC
- Protection category: IP20
- Flammability corresponding to: UL 94V-2 or better
- MTBF@50°C/400V(Mill-HB-217F): 220,000 hours
- Design corresponding to: UL1283, UL60939, CSA 22.2 No.8-13, IEC/EN60939
- Overload capability: 4 x rated current at switch on; 1.5 x rated current for 1 min., once per hour



Electrical schematic



Features

- Superior conducted attenuation performance
- Current rating 7~250A
- Two-stage circuit is ideal for very noisy environments
- Thin & lightweight metal housing book-style design
- Alternative performance grade
- Compliance with medical-grade standards

Marketing applications

- IT distribution network
- Inverters
- PV system
- Process control systems (PCS)
- Wind turbine

Filter selection table

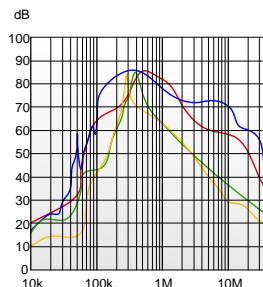
Filter PRJ No.	Rated Current @50°C [A]	Typical Drive* Power Rating [kW]	Leakage Current** @600VAC/50Hz [mA]	Power Loss @25°C/50Hz [W]
07SB58	7	4	2.0	9
16SB58	16	7.5	2.1	20
30SB58	30	15	2.9	21
42SB58	42	22	3.0	30
55SB58	55	30	3.0	30
75SB58	75	37	3.0	24
100SB58	100	55	3.0	51
130SB58	130	75	3.5	50
180SB58	180	90	3.5	73
250SB58	250	132	3.4	79
07SB58L / SB58P	7	4	0.1 / 0.4	9
16SB58L / SB58P	16	7.5	0.1 / 0.4	20
30SB58L / SB58P	30	15	0.1 / 0.4	21
42SB58L / SB58P	42	22	0.1 / 0.4	30
55SB58L / SB58P	55	30	0.1 / 0.4	30
75SB58L / SB58P	75	37	0.1 / 0.4	24
100SB58L / SB58P	100	55	0.1 / 0.4	51
130SB58L / SB58P	130	75	0.1 / 0.4	50
180SB58L / SB58P	180	90	0.1 / 0.4	73
250SB58L / SB58P	250	132	0.1 / 0.4	79

*Calculated at rated current, 480 VAC and cos phi = 0.8. The exact value depends upon the efficiency of the drive, the motor and the entire application.

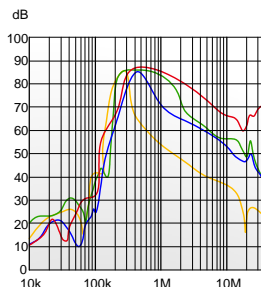
**Standardized calculated leakage current acc. IEC60939 under normal operating conditions.

Filter attenuation Insertion loss (dB) in 50Ω system CISPR 17

Common mode / Asymmetrical (P-E)

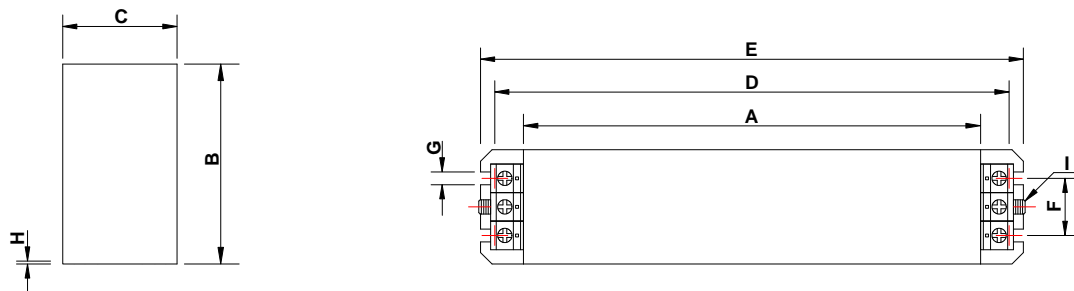


Differential mode / Symmetrical (P-P)



- 7A~30A ————
- 42A~100A ————
- 130A ————
- 180A~250A ————

Mechanical drawing



Dimensions (unit: mm) Tolerances according to ISO 2768-m / EN 22768-m

Code	7A	16A	30A	42A	55A	75A	100A	130A	180A	250A
A	225	275	305	300	300	300	350	400	400	440
B	126	142	150	185	185	220	220	240	240	240
C	50	55	60	70	80	80	90	110	110	110
D	240	290	320	314	314	314	364	414	413	453
E	255	305	335	329	329	329	379	439	438	478
F	25	30	35	45	55	55	65	80	80	80
G	6.5	6.5	6.5	6.5	6.5	6.5	6.5	6.5	6.5	6.5
H	1	1	1	1.5	1.5	1.5	1.5	1.5	4	4
I	M5	M5	M5	M6	M6	M6	M10	M10	M10	M10

Input / Output connectors cross sections

Input / Output connectors	7-16A	30-42A	55-75A	100-130A	180-250A
Solid wire	10mm ²	16mm ²	35mm ²	50mm ²	95mm ²
Flex wire	6mm ²	10mm ²	25mm ²	50mm ²	95mm ²
AWG type wire	AWG 8	AWG 6	AWG 2	AWG 1/0	AWG 4/0
Recom. torque	1~1.2Nm	1~1.2Nm	1.8~2Nm	2.3~2.5Nm	17~20Nm