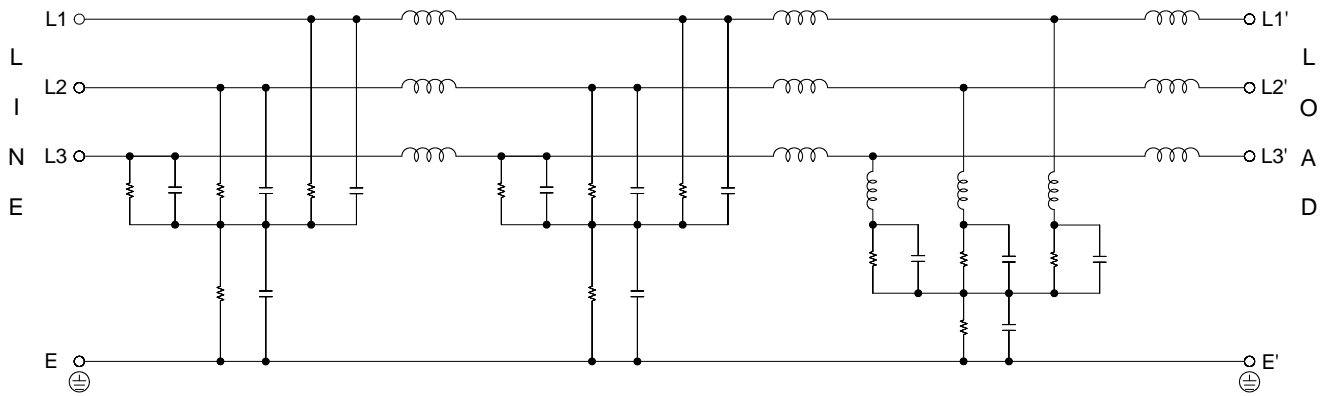


Technical data and measuring conditions

- Rated current: 150~400A@50°C
- Max. continuous operating voltage: 3x600 / 347VAC
- Operating frequency: dc to 60Hz
- Operating temp. : -25°~ + 100° (25/100/21)
- Hi-pot. test voltage (for 2 sec.):
P to E: 2750 VDC
P to P: 2250 VDC
- Protection category: IP20
- Flammability corresponding to: UL 94V-2 or better
- MTBF@50°C/400V(Mill-HB-217F): 320,000 hours
- Design corresponding to: UL1283, UL60939, CSA 22.2 No.8-13, IEC/EN60939
- Overload capability: 4 x rated current at switch on; 1.5 x rated current for 1 min., once per hour



Electrical schematic



Features

- Excellent conducted attenuation performance
- Current rating 150~400A
- Widely used in motor drive
- Compact and lightweight
- Easy to install
- With fast-on connections

Marketing applications

- Motor drive
- Process control system
- Power management system
- Robotics

Filter selection table

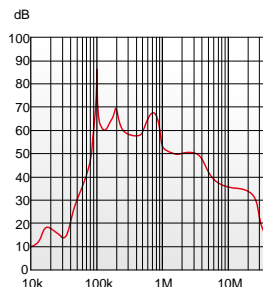
Filter PRJ No.	Rated Current @50°C [A]	Typical Drive* Power Rating [kW]	Leakage Current** @600VAC/50Hz [mA]	Power Loss @25°C/50Hz [W]
150SCB70HQ	150	75	6.9	7.5
200SCB70HQ	200	110	6.9	13.2
250SCB70HQ	250	132	6.9	20.6
320SCB70HQ	320	160	6.9	12.2
400SCB70HQ	400	220	6.9	19.2

*Calculated at rated current, 600 VAC and cos phi = 0.8. The exact value depends upon the efficiency of the drive, the motor and the entire application.

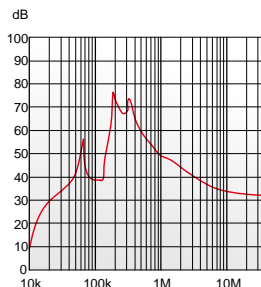
**Standardized calculated leakage current acc. IEC60939 under normal operating conditions.

Filter attenuation Insertion loss (dB) in 50Ω system CISPR 17

Common mode / Asymmetrical (P-E)

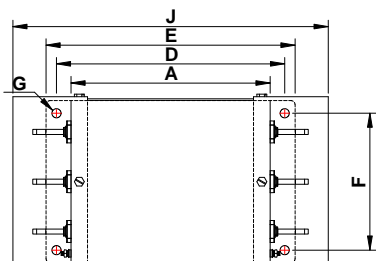
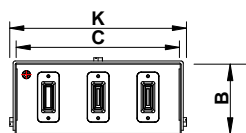


Differential mode / Symmetrical (P-P)

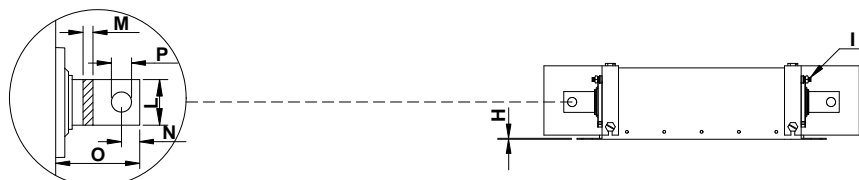


150A-400A ————

Mechanical drawing



Magnifying view



Dimensions (unit: mm) Tolerances according to ISO 2768-m / EN 22768-m

Code	150-250A	320-400A
A	240	240
B	86	86
C	200	200
D	275	275
E	300	300
F	165	165
G	Ø11	Ø11
H	2	2
I	M10	M10
J	380	380
K	211	211
L	20	25
M	3	6
N	10	12.5
O	37	37
P	Ø9	Ø11